



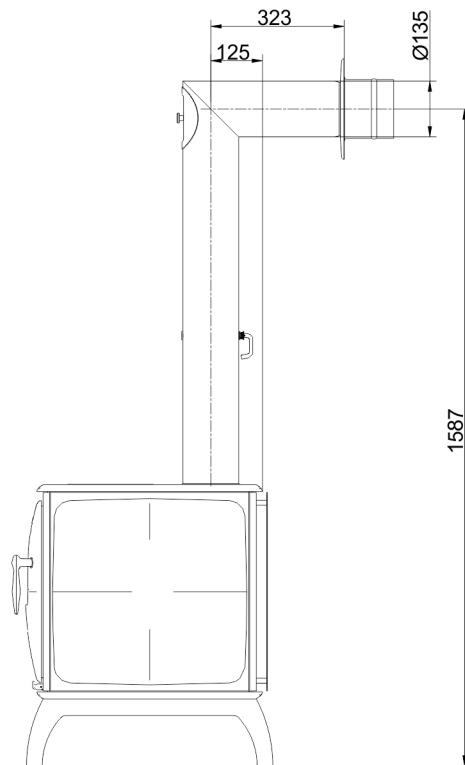
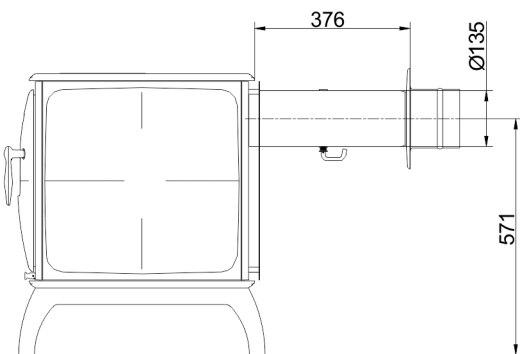
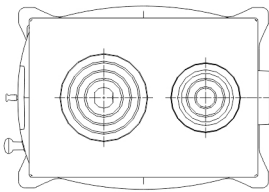
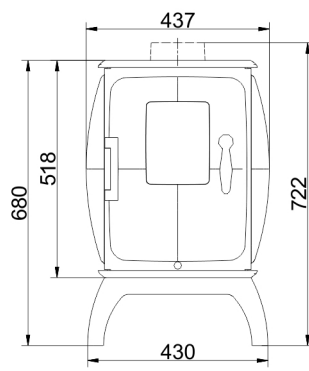
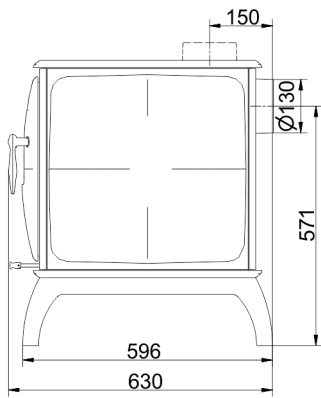
## iron dog 01

State: 2024-05-16



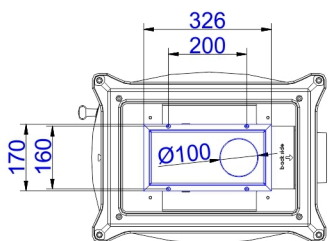
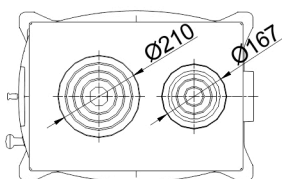
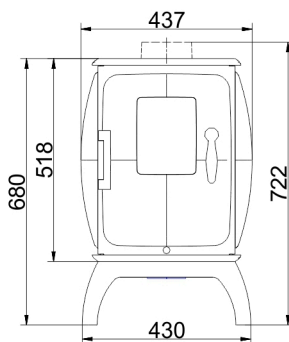
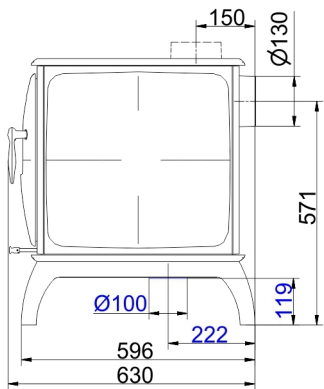
**BRUNNER**<sup>®</sup>  
*made in germany.*

# Dimension sheets - iron dog 01



... with horizontal smoke pipe connection kit L form

# Dimension sheets - iron dog 01



... with connection for combustion air

We suggest for CAD planning Palette CAD. Permanent updated drawings: [www.brunner.de](http://www.brunner.de)  
 Frames/ flue gas outlet connection/ combustion air supply connection/ front variants/ support bearing are marked in color.

# Planning and installation - iron dog 01

Tested according to		EN 13240
<b>Data for functional demonstration</b>		
Rated heat power	kW	7
Fire wood volume	kg/h	2
Flue gas mass flow	g/s	7.6
Outlet temperature	°C	353
Necessary supply pressure	Pa	12
Combustion air consumption	m <sup>3</sup> /h	15
Flue gas pipe connection Ø	mm	130
Combustion air connection Ø	mm	100
<b>Minimal distances <sup>1)</sup></b>		
to the side wall	cm	80
to the back wall	cm	40
to the back wall with stove- heat protective panel	cm	30
to the back wall with stove-and wall heat protective panel	cm	10
to the front	cm	80
<b>Device data</b>		
Dimensions (H x W x D)	mm	680 x 440 x 630
Combustion chamber opening	m <sup>2</sup>	0.08
Combustion chamber depth	mm	400
<b>Weight</b>		
Total weight	kg	130
<b>Meets requirement/limit values for:</b>		
Germany/ Austria / Switzerland / Norway		1.BImSchV (Stufe 2) / 15a BVG (2015) / - / -

- 1) The specified safety distances ensure that no temperatures > 85°C are reached on adjacent components and walls. In the case of sensitive objects or furniture, maintain greater distances if necessary. For highly insulated walls (U-value < 0.4 W/m<sup>2</sup>K), the fire protection distance is increased by 5 cm to the corresponding side or rear wall.